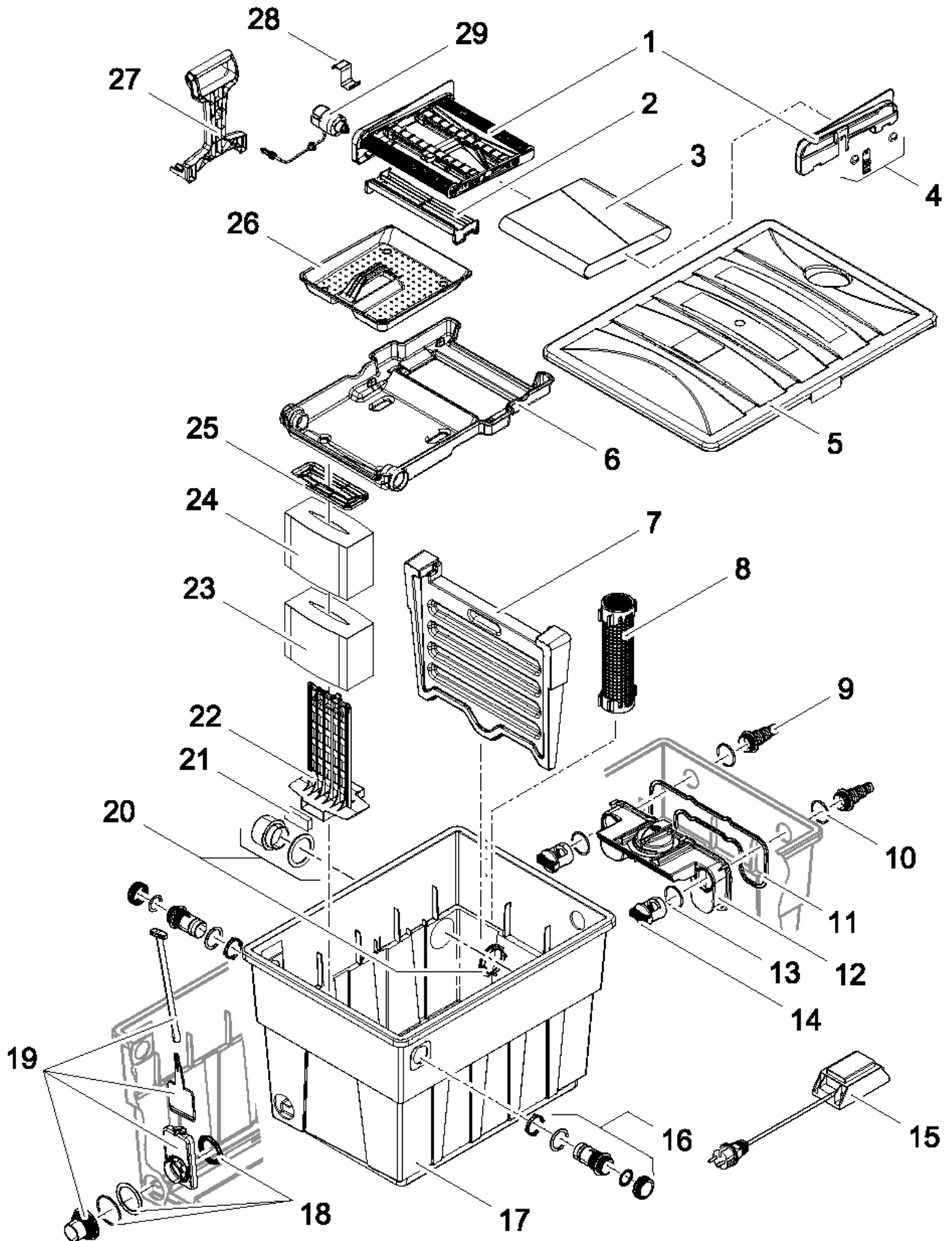


Ersatzteilliste 2009 Spare part list 2009



57127 Biotec Screenmatic 12
57128 Biotec Screenmatic 18



Ersatzteilliste 2009
Spare part list 2009



57127 Biotec Screenmatic 12
57128 Biotec Screenmatic 18

| Pos.-Nr. | Biotec 12 SM | Biotec 18 SM | Ersatzteilbezeichnung | Spare part description |
|-----------------|---------------------|---------------------|---------------------------------|-------------------------------|
| 1 | 10335 | 10335 | Screenmatic BG 12/18 | assembly screenmatic 12/18 |
| 2 | 35700 | 35700 | Abstreifer | scraper screenmatic |
| 3 | 28383 | 28383 | Bandgewebe 12/18 | woven fabric 12/18 |
| 4 | 35605 | 35605 | Kleinteile Screenmatic 12/18 | assembly small parts |
| 5 | 25352 | 25352 | Filterdeckel | lid for Biotec 12/18 |
| 6 | 28372 | 28372 | Siebhalter | screenholder 12/18 |
| 7 | 28376 | 28373 | Zwischwand | partition wall Screenmatic 18 |
| 8 | 4 x 26304 | 4 x 25507 | Substratrohr | pipe for Substrate cpl. |
| 9 | 19512 | 19512 | Stufenschlauchtülle geschlossen | hose tail - closed |
| 10 | 19506 | 19506 | Flachdichtung 60x47x3 VE 10 | flat inlet 60x47x3 (PU 10) |
| 11 | 25696 | 25696 | Moosgummi Dichtung Verteiler | flat gasket distributor |
| 12 | 34844 | 34844 | Verteiler | assembly distributor |
| 13 | 25691 | 25691 | O-Ring 54 x 4 | o-ring 54x4 70SH |
| 14 | 34698 | 34698 | Durchlassschraube | inlet locking nuts |
| 15 | 35502 | 35502 | Zeitschalteinheit | assembly timer Screenmatic |
| 16 | 34858 | 34858 | Befestigungsset Siebhalter | retaining nut set |
| 17 | 26306 | 25351 | Behälter | filter box |
| 18 | 34859 | 34859 | Dichtungs-Set Ablauf | gasket set |
| 19 | 34860 | 34860 | Ablauf | spare drain assembly |
| 20 | 34861 | 34861 | Auslauf-Set DN 70 | spare drainage Set Biotec 18 |
| 21 | 25524 | 25524 | Lammelenstopfen | plug |
| 22 | 8 x 26305 | 8 x 34733 | Schaumhalter | foam holder |
| 23 | 8 x 56739 | 8 x 56736 | Ersatzschwamm rot | filter Foam, Red (PU3) |
| 24 | 8 x 56738 | 8 x 56737 | Ersatzschwamm blau | filter Foam Blue (PU3) |
| 25 | 34670 | 34670 | Abdeckplatte | blk plastic pad cover |
| 26 | 28371 | 28371 | Schmutzkorb Screenmatic | slush cage |
| 27 | 34734 | 34734 | Reiniger | cleaner |
| 28 | 25619 | 25619 | Haken | cleaning tool holder |
| 29 | 10342 | 10342 | Antriebseinheit | assembly traction unit |